

# 1/2" High Sensitivity Camera

# WMK-S308

2MP x30 Zoom HD-SDI Twin Motorized Zoom IR PTZ Camera

## HD-SDI

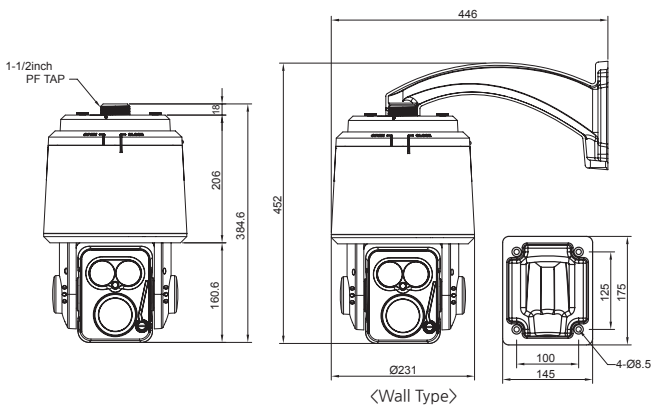


## Features

- 1/2" 2MP Sony CMOS sensor
- 1080p 60fps / 30fps, 720p 60fps
- HD-SDI, CVBS
- x30 Optical Zoom(6 ~ 180mm) & x32 Digital Zoom
- Day & Night(ICR)
- Real-time True WDR
- Digital Noise Reduction(2D+3D)
- Digital Image Stabilizer
- 255 Presets, 8 Tours, 8 Scans, 4 Patterns, 16 Areas, 8 Alarms
- 360° Endless Pan Rotation, -8°Tilt
- Twin motorized IR Zoom lens for IR intensity and distance adjustment
- IR Distance 250m
- Optically perfect flat viewing window preventing from blooming and smear
- -40°C~+60°C All weather High Tolerance
- Corrosion-resistant external PC housing
- Weather-proof IP66 outdoor housing
- Ease of installation and maintenance from PTZ docking cradle
- Memory Back Up Position of Pan/Tilt, Preset, ID and PTZ setting value
- Built-in Wiper System
- The Moisturizing structure with Goretex film

## Dimensions

Unit : mm



| CAMERA            |  |
|-------------------|--|
| Image Sensor      | 1/2" Sony CMOS Sensor  |
| Total Pixels      | 1952(H) x 1241(V) = 2.42M Pixels   |
| Active Pixels     | 1937(H) x 1097 (V) = 2.12M Pixels  |
| Scanning System   | Progressive Scan   |
| Resolution        | Digital : 1080p/60(50)fps, 1080p/30(25)fps, 720p/60(50)fps, 720p/30(25)fps                                   |
| Min. Illumination | Color(1/30s) : 0.15 lux , BW(1/30s) : 0.01lux<br>Color DSS(1/7.5s) : 0.0375 lux , BW DSS(1/7.5s) : 0.002 lux |
| S/N Ratio         | more than 50dB (AGC off)   |
| Video Output      | HD-SDI, CVBS   |

| LENS                    |                               | x30   |       |       |
|-------------------------|-------------------------------|-------|-------|-------|
| Lens Type               | x30 Day & Night Zoom Lens     |       |       |       |
| Zoom Ratio              | Optical x30, Digital x32 Zoom |       |       |       |
| Focal Length            | f = 6.0 mm ~ 180.0 mm         |       |       |       |
| Aperture Ratio          | F1.5 (wide) ~ F4.3 (tele)     |       |       |       |
| Angle Of View (D, H, V) | WIDE                          | 68.6° | 61.2° | 35.7° |
|                         | TELE                          | 2.65° | 2.32° | 1.31° |

| PAN / TILT |  |
|------------|--|
| Pan        | 360°Continuous Pan, 0.1° to 120°/sec (proportional to zoom)    |
| Pan Speed  | 250°/sec, ± 0.1° Accuracy                                      |
| Tilt       | -8°(352°) to 90° movement, 0.8°~80°/sec (proportional to zoom) |
| Tilt Speed | 250°/sec, ± 0.05° Accuracy                                     |
| Preset     | 255 points, less than 0.1° accuracy                            |

| CAMERA FUNCTIONS         |   |
|--------------------------|---|
| Camera Title             | ID / Title / Zoom Ratio / System Message    |
| Day & Night              | Auto / Day / Night / Ext-in                 |
| WDR/BLC                  | Off / WDR / BLC / HLC                       |
| ACE                      | Off / Low / Middle / High                   |
| DNR                      | Auto / Off / Low / Middle / High            |
| Defog                    | Off / On(Auto / Manual)                     |
| Digital Image Stabilizer | Off / On                                    |
| Privacy Mask             | Off / On (24 positions)                     |
| Digital Slow Shutter     | Off /x2 /x4 (/ x8 : 60 or 50fps mode only)  |
| Gain Control             | Off / On                                    |
| White Balance            | Auto / One Push / Manual / Indoor / Outdoor |
| Shutter Speed            | 1/30(25) ~ 1/30,000 sec                     |
| E.Zoom                   | Off / x2 ~ x32                              |
| Digital Flip             | Off / H / V / H&V                           |
| Digital I/O              | 8 alarm / 2 relay out                       |
| Remote Control Interface | RS-422, 485                                 |
| Protocol                 | Pelco-D / Pelco- P / WONWOO                 |

| GENERAL               |  |
|-----------------------|--|
| Power Source          | AC21~26V 60Hz / 50Hz(Power adaptor not included) |
| Power Consumption     | Operation(5A) / Max 6A                           |
| Operating Temperature | -40°C ~ +60°C / 0% ~ 90% RH                      |
| Ingress Protection    | IP66   |
| Material              | Aluminum   |
| Dimensions            | 231(Ø) x 385(H) mm                               |
| Weight                | 6.8Kg  |