

MV-18-27/MV-18

2MP HD-SDI Outdoor Dome Camera

HD-SDI
EX-SDI

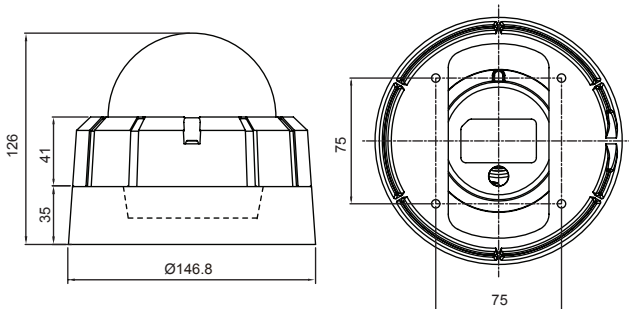


Features

- 1/3" 2MP Panasonic CMOS sensor
- 1080p 60fps / 30fps, 720p 60fps
- HD-SDI, EX-SDI, CVBS, TVI(Optional)
- 2.8~10mm Mega-pixel Varifocal Lens
- Real-time True WDR
- Digital Noise Reduction(2D+3D)
- Digital Slow Shutter
- Digital Image Stabilizer
- Privacy Mask Function
- High Light Compensation
- Defog Function
- ACE(Digital WDR)
- Motion Detection
- Multiple Protocols
- 27pcs IR LED(IR Distance 22~23m, MV-18-27 only)
- IP66 Aluminum Die-casting Waterproof structure

Dimensions

Unit : mm



CAMERA	
Image Sensor	1/3" Panasonic CMOS Sensor
Total Pixels	1956 (H) x 1266 (V) = 2.48M Pixels
Active Pixels	1944 (H) x 1092 (V) = 2.12M Pixels
Scanning System	Progressive Scan
Resolution	Digital : 1080p/60(50)fps, 1080p/30(25)fps, 720p/60(50)fps, 720p/30(25)fps
Min. Illumination	Color : 0.5 lux , BW : 0.1lux Color DSS : 0.002 lux , BW DSS : 0.001 lux
S/N Ratio	more than 50dB (AGC off)
Video Output	HD-SDI, EX-SDI, CVBS, TVI(Optional)

LENS	
Lens Type	2.8~10mm Mega-pixel Varifocal Lens

CAMERA FUNCTIONS	
Camera Title	ID / Title / Zoom Ratio / System Message
Day & Night	Auto / Day / Night / Ext-in
WDR/BLC	Off / WDR / BLC / HLC
ACE	Off / Low / Middle / High
DNR	Auto / Off / Low / Middle / High
Defog	Off / On(Auto / Manual)
Digital Image Stabilizer	Off / On
Motion Detection	Off / On (3 positions)
Privacy Mask	Off / On (24 positions)
Digital Slow Shutter	Off /x2 /x4 (/ x8 : 60 or 50fps mode only)
Gain Control	Off / On
White Balance	Auto / One Push / Manual / Indoor / Outdoor
Shutter Speed	1/30(25) ~ 1/30,000 sec
E.Zoom	Off / x2 ~ x32
Digital Flip	Off / H / V / H&V

GENERAL	
Power Source	DC12V±10%
Power Consumption	MV-18 : Max 350mA, MV-18-27 : Max 700mA
Operating Temperature	-10°C ~ +50°C / 0% ~ 90% RH
Dimensions	146.8(Ø) x 126(H) mm
Weight	1.0Kg