

WMK-M308, M208

2MP x30, x20 Zoom HD-SDI Twin Motorized Zoom IR PTZ Camera
HD-SDI

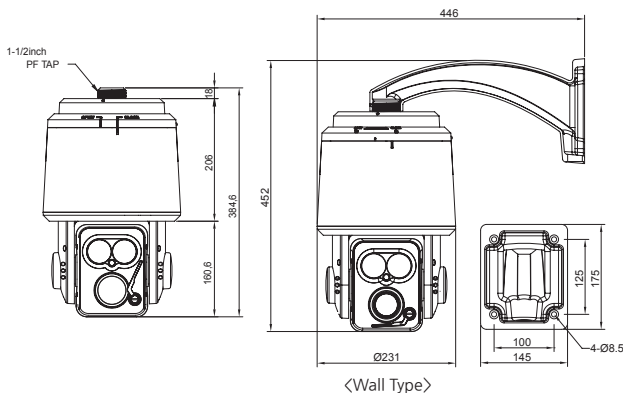


Features

- 1/3" 2MP Panasonic CMOS sensor
- 1080p 60fps / 30fps, 720p 60fps
- HD-SDI, CVBS
- x30 Optical Zoom(4.3mm~129mm) & x32 Digital Zoom
- x20 Optical Zoom(4.7mm~94mm) & x32 Digital Zoom
- Day & Night(ICR)
- Real-time True WDR
- Digital Noise Reduction(2D+3D)
- Digital Image Stabilizer
- Privacy Mask Function
- High Light Compensation
- Defog Function
- 255 Presets, 8 Tours, 8 Scans, 4 Patterns, 16 Areas, 8 Alarms
- 360° Endless Pan Rotation, -8°Tilt
- Twin motorized IR Zoom lens for IR intensity and distance adjustment
- IR Distance 250m
- Optically perfect flat viewing window preventing from blooming and smear
- -40°C~+60°C All weather High Tolerance
- Corrosion-resistant external PC housing
- Weather-proof IP66 outdoor housing
- Ease of installation and maintenance from PTZ docking cradle
- Built-in Wiper System
- The Moisturizing structure with Goretex film

Dimensions

Unit : mm



CAMERA	
Image Sensor	1/3" Panasonic CMOS Sensor
Total Pixels	1956 (H) x 1266 (V) = 2.48M Pixels
Active Pixels	1944 (H) x 1092 (V) = 2.12M Pixels
Scanning System	Progressive Scan
Resolution	Digital : 1080p/60(50)fps, 1080p/30(25)fps, 720p/60(50)fps, 720p/30(25)fps
Min. Illumination	Color(1/30s) : 0.5 lux , BW(1/30s) : 0.1lux Color DSS(1/7.5s) : 0.125 lux , BW DSS(1/7.5s) : 0.025 lux
S/N Ratio	more than 50dB (AGC off)
Video Output	HD-SDI, CVBS

LENS	x30			x20			
	Lens Type	30x Day & Night Zoom Lens			20x Day & Night Zoom Lens		
Zoom Ratio	Optical x30, Digital x32 Zoom			Optical x20, Digital x32 Zoom			
Focal Length	f = 4.3 mm ~ 129.0 mm			f = 4.7 mm ~ 94.0 mm			
Aperture Ratio	F1.6 (wide) ~ F4.7 (tele)			F1.6 (wide) ~ F3.5 (tele)			
Angle Of View (D, H, V)	WIDE	71.3°	58.9°	45.3°	62.7°	55.4°	32.6°
	TELE	2.58°	2.11°	1.61°	3.3°	2.9°	1.6°

PAN / TILT	
Pan	360°Continuous Pan, 0.1° to 120°/sec (proportional to zoom)
Pan Speed	250°/sec, ± 0.1° Accuracy
Tilt	-8°(352°) to 188° movement, 0.8°~80°/sec (proportional to zoom)
Tilt Speed	250°/sec, ± 0.05° Accuracy
Preset	255 points, less than 0.1° accuracy

CAMERA FUNCTIONS	
Camera Title	ID / Title / Zoom Ratio / System Message
Day & Night	Auto / Day / Night / Ext-in
WDR/BLC	Off / WDR / BLC / HLC
ACE	Off / Low / Middle / High
DNR	Auto / Off / Low / Middle / High
Defog	Off / On(Auto / Manual)
Digital Image Stabilizer	Off / On
Privacy Mask	Off / On (24 positions)
Digital Slow Shutter	Off /x2 /x4 (/ x8 : 60 or 50fps mode only)
Gain Control	Off / On
White Balance	Auto / One Push / Manual / Indoor / Outdoor
Shutter Speed	1/30(25) ~ 1/30,000 sec
E.Zoom	Off / x2 ~ x32
Digital Flip	Off / H / V / H&V
Digital I/O	8 alarm / 2 relay out
Remote Control Interface	RS-422, 485
Protocol	Pelco-D / Pelco- P / WONWOO

GENERAL	
Power Source	AC21~26V 60Hz / 50Hz(Power adaptor not included)
Power Consumption	Operation(5A) / Max 6A
Operating Temperature	-40°C ~ +60°C / 0% ~ 90% RH
Storage Temperature	-50°C ~ +70°C
Ingress Protection	IP66
Material	Aluminum
Dimensions	231(Ø) x 385(H) mm
Weight	6.3Kg